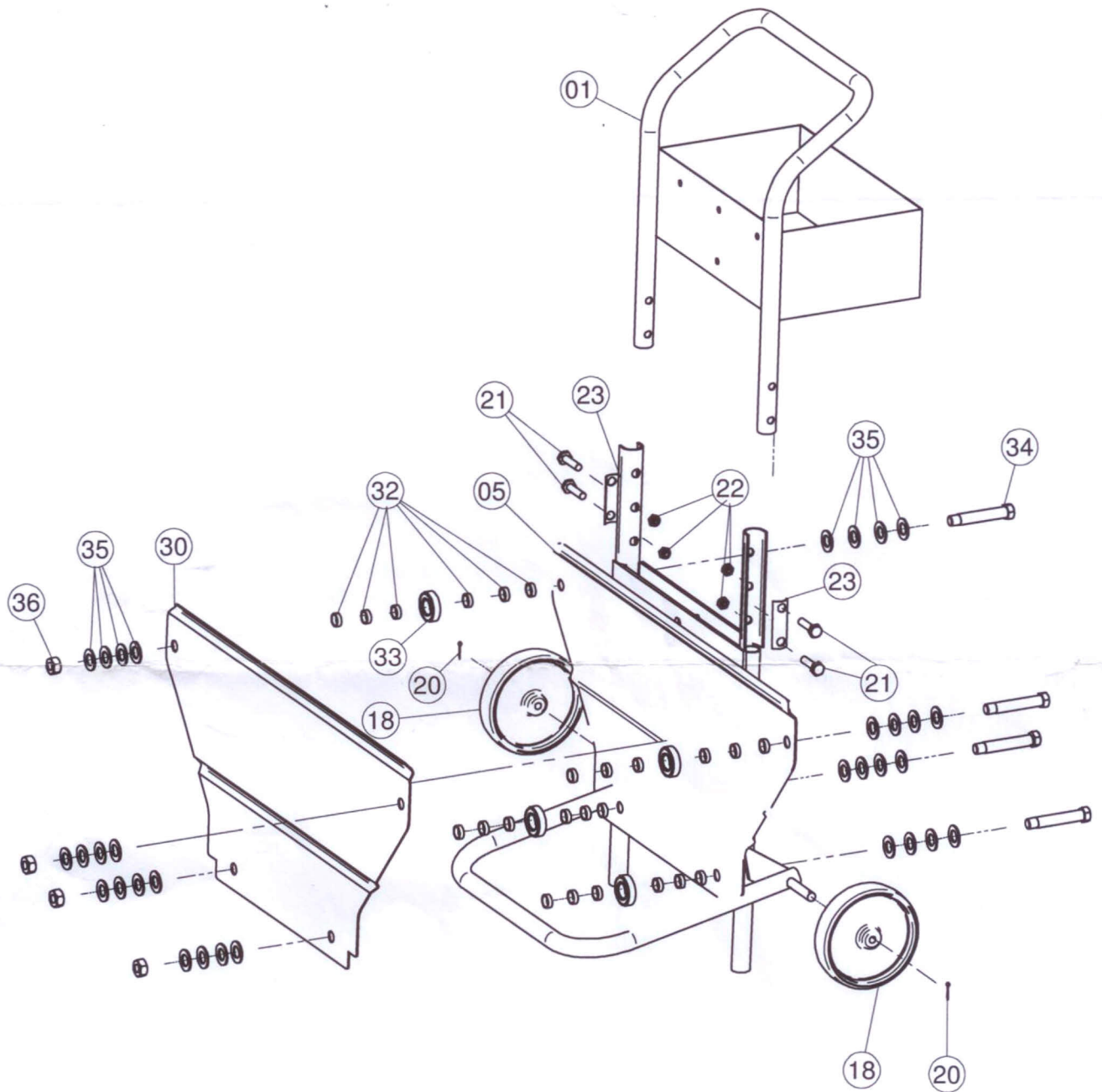


# STRAPPING CART

YYCA653-02



Part No.	Part Name	Qty/Tool	Part No.	Part Name	Qty/Tool
01	Upper Base	1	30	Out Plate	1
05	Lower Base	1	32	Bushing	24
18	Wheel	2	33	Ball Bearing	4
20	Cotter Pin 1/8"x5/8"	2	34	Screw M14x82.5	4
21	Screw 3/8"x1-1/2"	4	35	Washer 16.8x30x2.0	32
22	Nylon Nut 3/8"	4	36	Nut M14	4
23	Screw Guide	2			

Keep tool well oiled and clean. Please order parts by number and name.