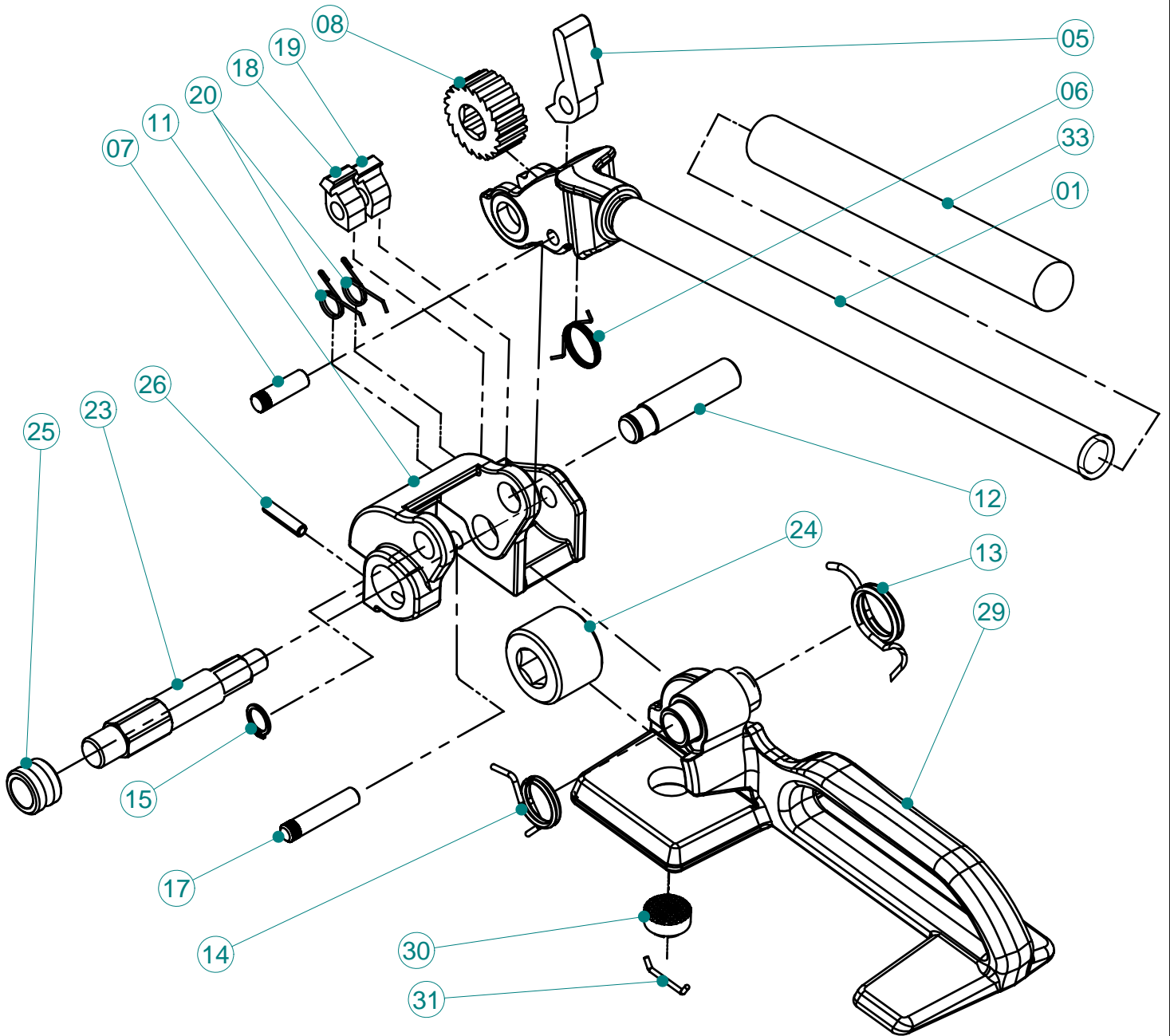


FEED WHEEL TENSIONER

YYS350-01



Part No.	Part Name	Qty/Tool	Part No.	Part Name	Qty/Tool
01	Handle	1	18	Long Pawl	1
05	Handle Pawl	1	19	Short Pawl	1
06	Handle Pawl Spring	1	20	Pawl Spring	2
07	Crosshead Pin	1	23	Shaft	1
08	Ratchet Gear	1	24	Feedwheel	1
11	Support Frame	1	25	Bushing	1
12	Support Pin	1	26	Roll Pin	1
13	Feedwheel Support Spring	1	29	Base	1
14	Retaining Support Spring	1	30	Clutch Plug	1
15	Retaining Ring	1	31	Wire	1
17	Retaining Pawl Pin	1	33	Grip	1

Keep tool well oiled and clean. Please order parts by number and name.