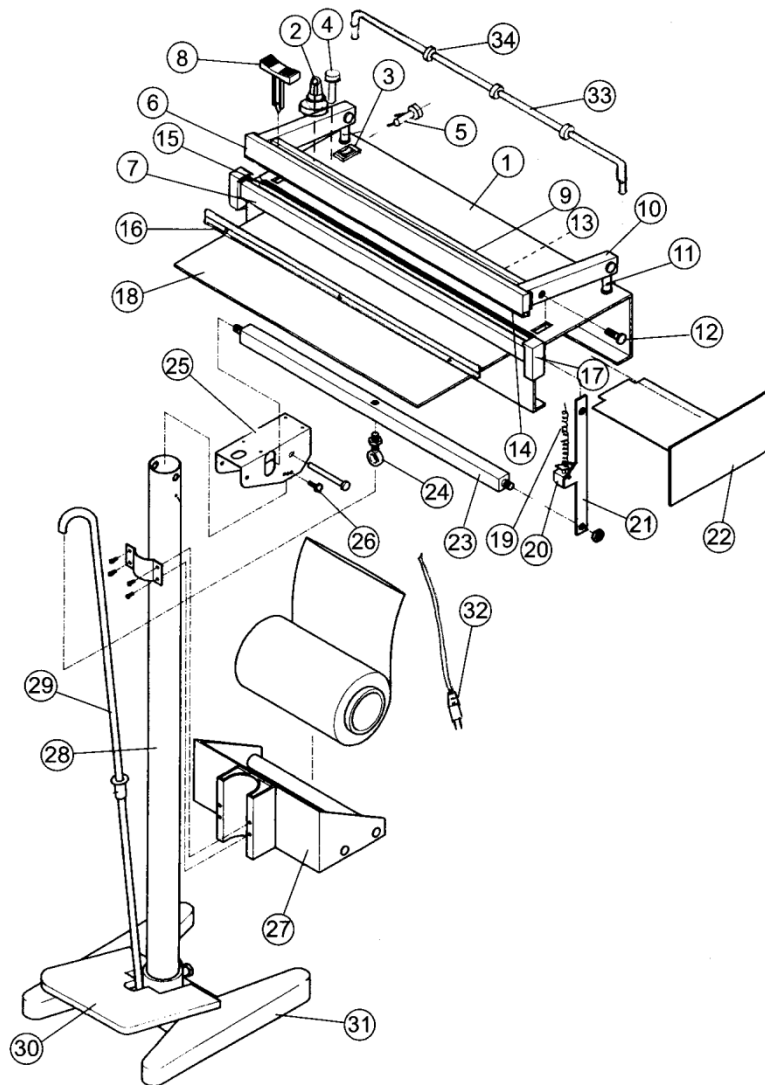


1. CONSTRUCTION DIAGRAM



2. PARTS LIST

- | | |
|------------------------------|------------------------|
| 1) Enclosure Body | 18) Working Plate |
| 2) Timer Control Knob | 19) Return Spring |
| 3) Power Main Switch | 20) Limited Switch |
| 4) Sealing Indication Lamp | 21) Pull Sealing Lever |
| 5) Fuse Holder | 22) End Cover Plate |
| 6) Upper Sealing Jaw | 23) Lever Bar |
| 7) Lower Sealing Jaw | 24) Pull Screw |
| 8) Cutting blade | 25) Enclosure Bracket |
| 9) Holder Plate for Cutter | 26) Angle Fixed Screw |
| 10) Lever Frame | 27) Roll Bracket |
| 11) Connect Poles | 28) Standing Tube |
| 12) Bolt Pin | 29) Dower Lever Rod |
| 13) Rubber Pad for Cutting | 30) Pedal |
| 14) Sealing Silicon Rubber | 31) Pedal Base |
| 15) Clip for Teflon Cloth | 32) Power Plug |
| 16) Fixed Plate of Cloth | 33) Bag press Bar |
| 17) Heater Terminal Assembly | 34) Bag Fixed Ring |

3. OPERATING INSTRUCTIONS

1. Connect power supply plug to AC outlet.
2. Put the plastic bag on the roll bracket then will it through between the sealing jaws.
3. Turn on Main Switch. Yellow light appears, indicating power to the unit.
4. Adjust the timing knob to the lower number and STEP ON the pedal about one second after the red lamp gone out automatically while you press the pedal, this is the cooling time.
5. Slide the cutter to cut the plastic bag.
6. The jaws will open when cycle is completed and you can remove the package bag and begin the cycle anew.