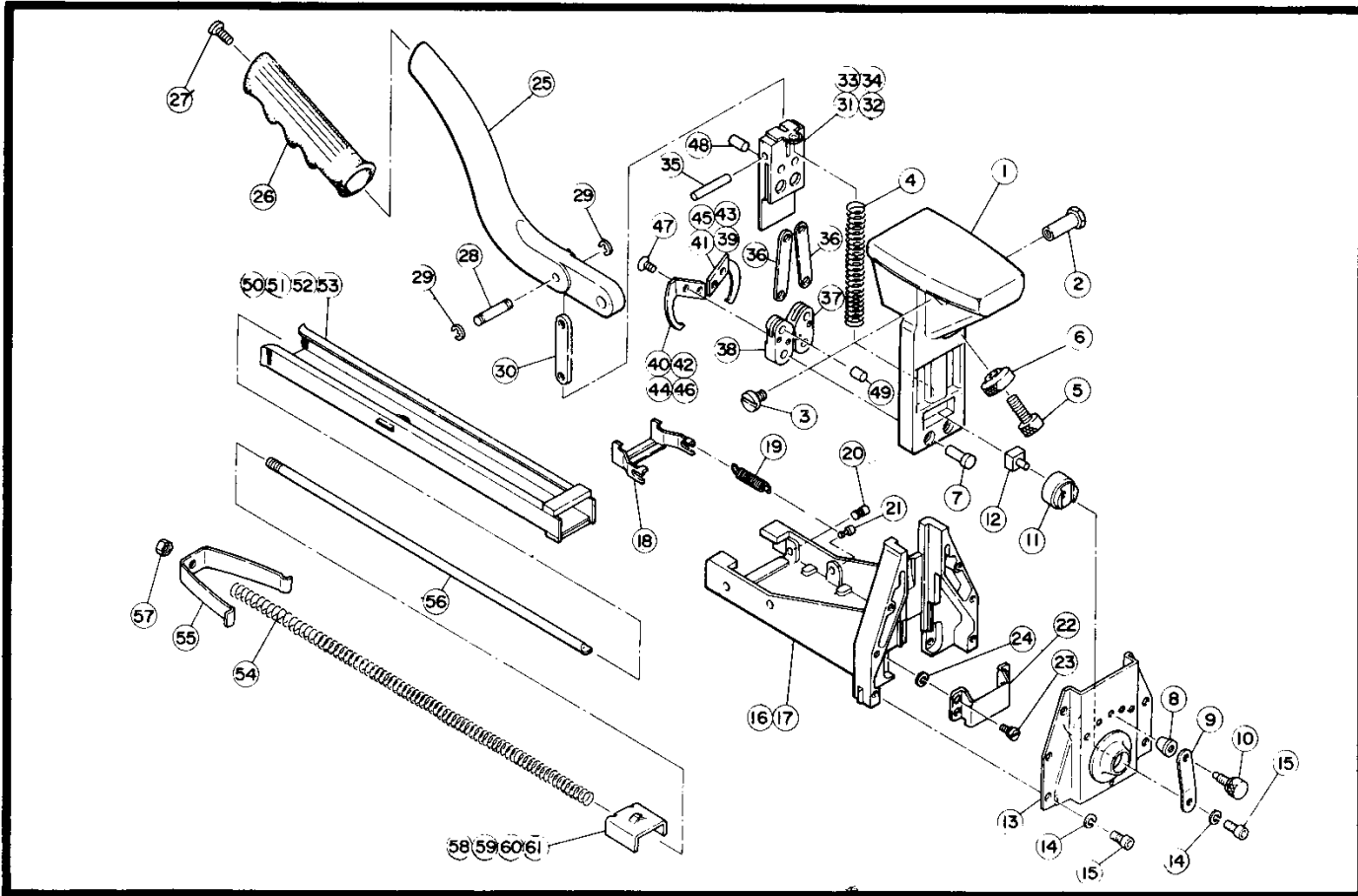


# HAND STAPLER



## 5

### ASSEMBLY CHART & PARTS LIST

Index No.	Parts Name	Remark	Index No.	Parts Name	Remark
1	Head		33	Driver unit	
2	Handle stop screw		34	Driver unit	
3	Handle pin		35	Driver lever pin	
4	Handle return spring		36	Clincher	
5	Driver stroke adjustment screw		37	Clincher holder	
6	Lock nut		38	Clincher holder	
7	Holder stop pin		39	Clincher	
8	Positioning pin receiver		40	Clincher	
9	Adjustment pin		41	Clincher	
10	Positioning pin		42	Clincher	
11	Adjustment plate		43	Clincher	
12	Adjustment block		44	Clincher	
13	Face plate		45	Clincher	
14	Spring washer		46	Clincher	
15	T-bolt		47	Countersink screw	
16	Magazine receiver		48	Clincher lever pin A	
17	Magazine receiver		49	Clincher lever pin B	
18	Magazine installation fitting		50	Magazine unit	
19	Magazine fitting installation spring		51	Magazine unit	
20	Magazine fitting stop pin		52	Magazine unit	
21	Spring stop pin		53	Magazine unit	
22	Contact plate		54	Staple pusher spring	
23	Contact plate installation screw		55	Staple pusher stop spring	
24	Spring washer		56	Staple push rod	
25	Handle		57	Hex. nut	
26	Handle grip		58	Staple pusher	
27	Button-head screw		59	Staple pusher	
28	Driver lever pin		60	Staple pusher	
29	E-shaped retaining ring		61	Staple pusher	
30	Driver lever				
31	Driver unit				
32	Driver unit				