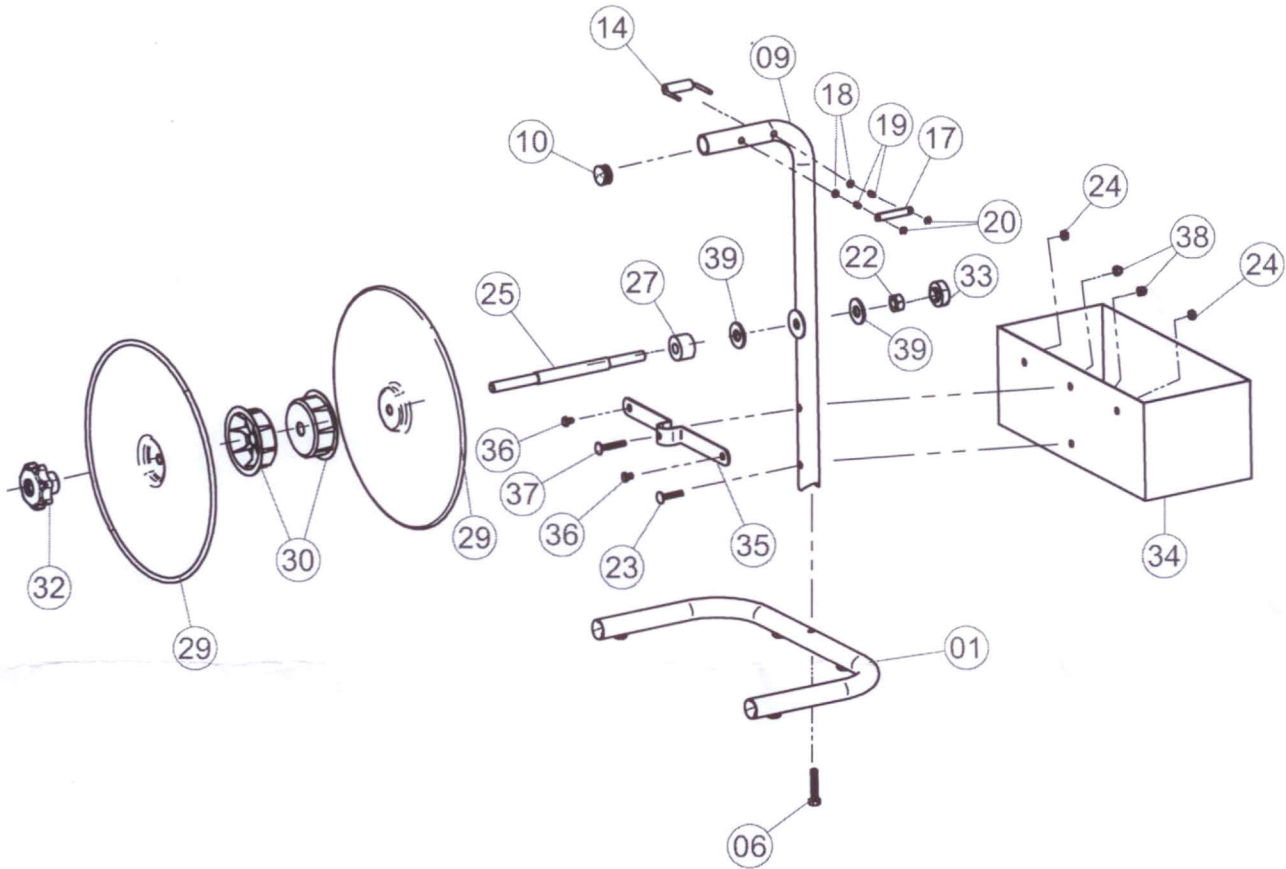


STRAPPING CART

YYCA330-02



Part No.	Part Name	Qty/Tool	Part No.	Part Name	Qty/Tool
01	Lower Base	1	25	Shaft	1
06	Base Screw	1	27	ABS Spacer	1
09	Upper Base	1	29	Disc	2
10	Tube Insert	1	30	Disc Cap	2
14	Strap Pass	1	32	Wing Nut	1
17	Strap Plate	1	33	Nut Cap	1
18	Washer M4x9x1	2	34	Tool Tray	1
19	Spring	2	35	Handle Clamp	1
20	Clip	2	36	Screw 1/4" x 3/8"	2
22	Handle Nut	1	37	Tray Screw	1
23	Screw 1/4" x 1-1/4"	1	38	Nut	2
24	Tray Nut	2	39	Washer	2

Keep tool well oiled and clean. Please order parts by number and name.