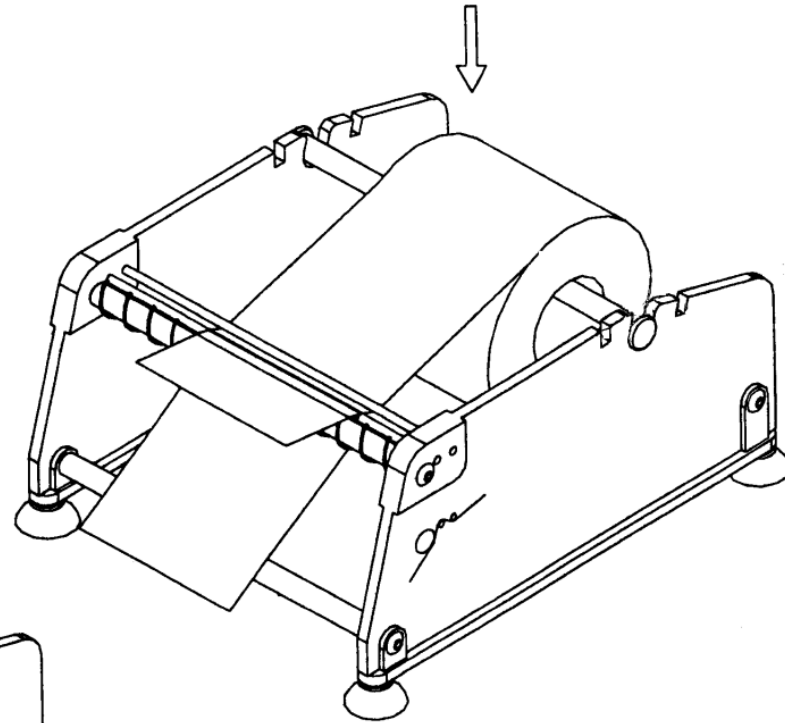
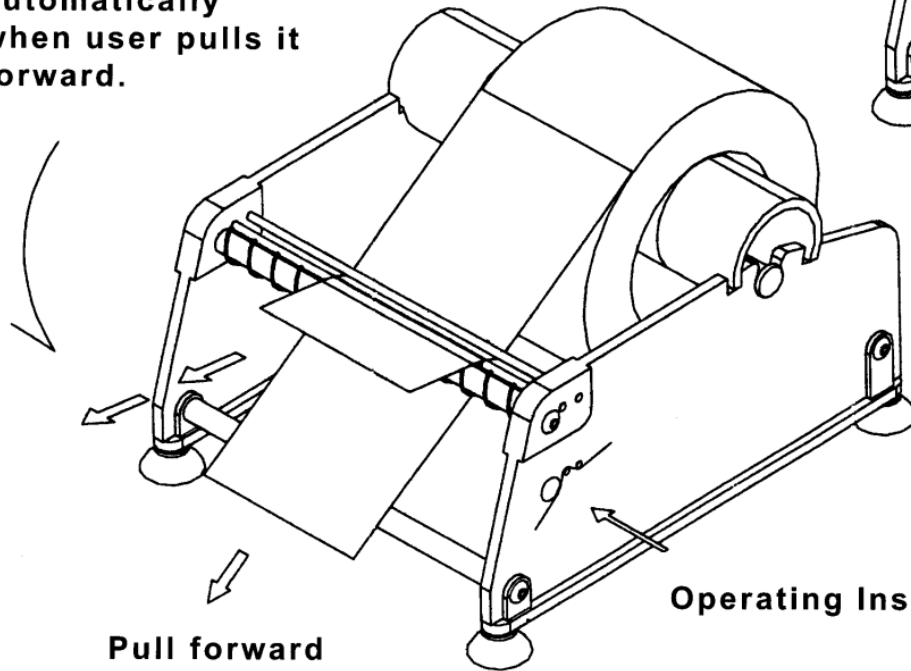


LABEL DISPENSER INSTRUCTION

Use for inner core smaller than 1 1/2"

The stickers will be separated automatically when user pulls it forward.



Operating Instruction